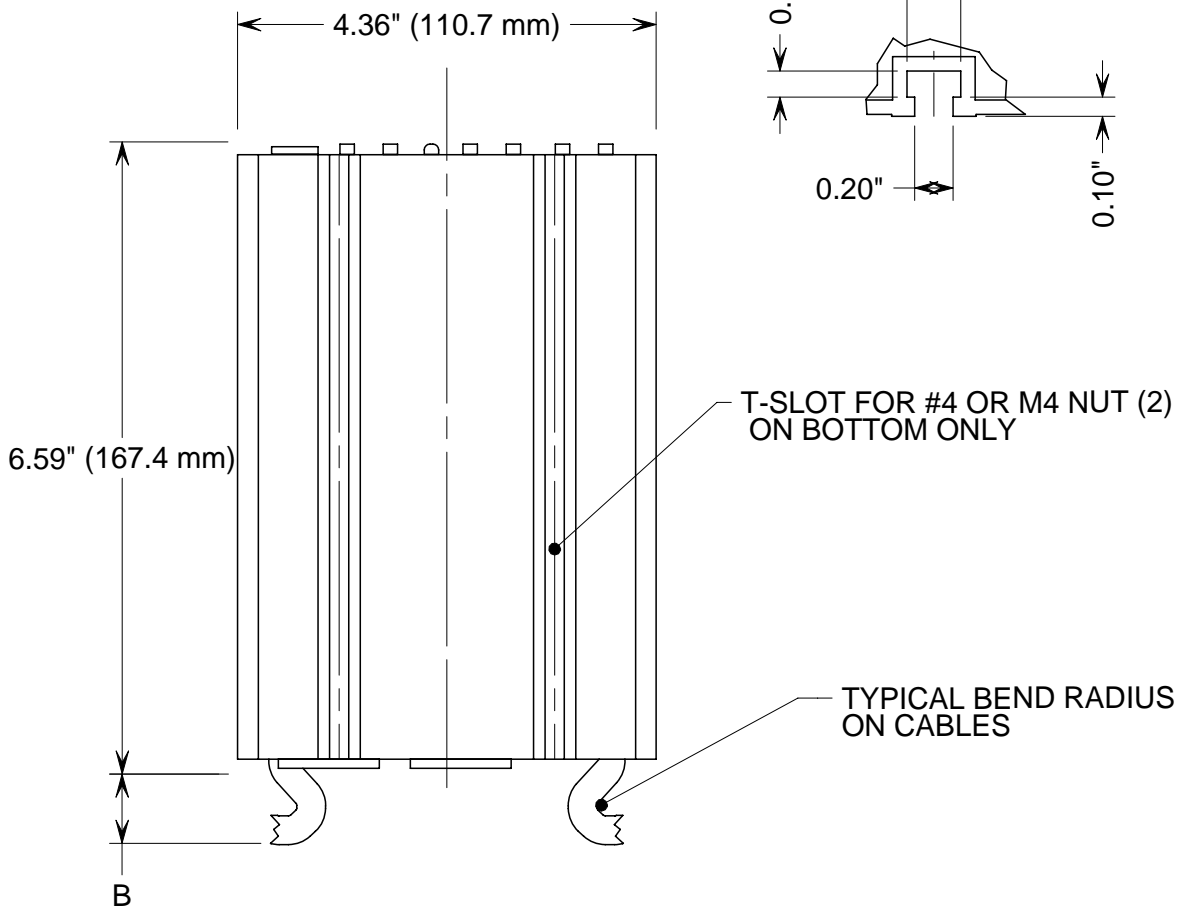


T-SLOT
DETAIL 2X



| B | Cable |
|------|---------------|
| 0.8" | Motor & Limit |
| 1.8" | Power |
| 2.7" | Serial & I/O |

| | | | |
|---------------------|-----------------|-------------------------------------|-----|
| VELMEX, INC. | | DRAWN BY M.L.E. | |
| | | TITLE VXM OEM OUTLINE DIMENSIONS | |
| SCALE 1/2 | DATE 8-10-11 | DWG NO. 3097-A7 | REV |